

POSITIVE PRESSURE DAMPER / PRESSURE RELIEF DAMPER

MODEL: VPRD

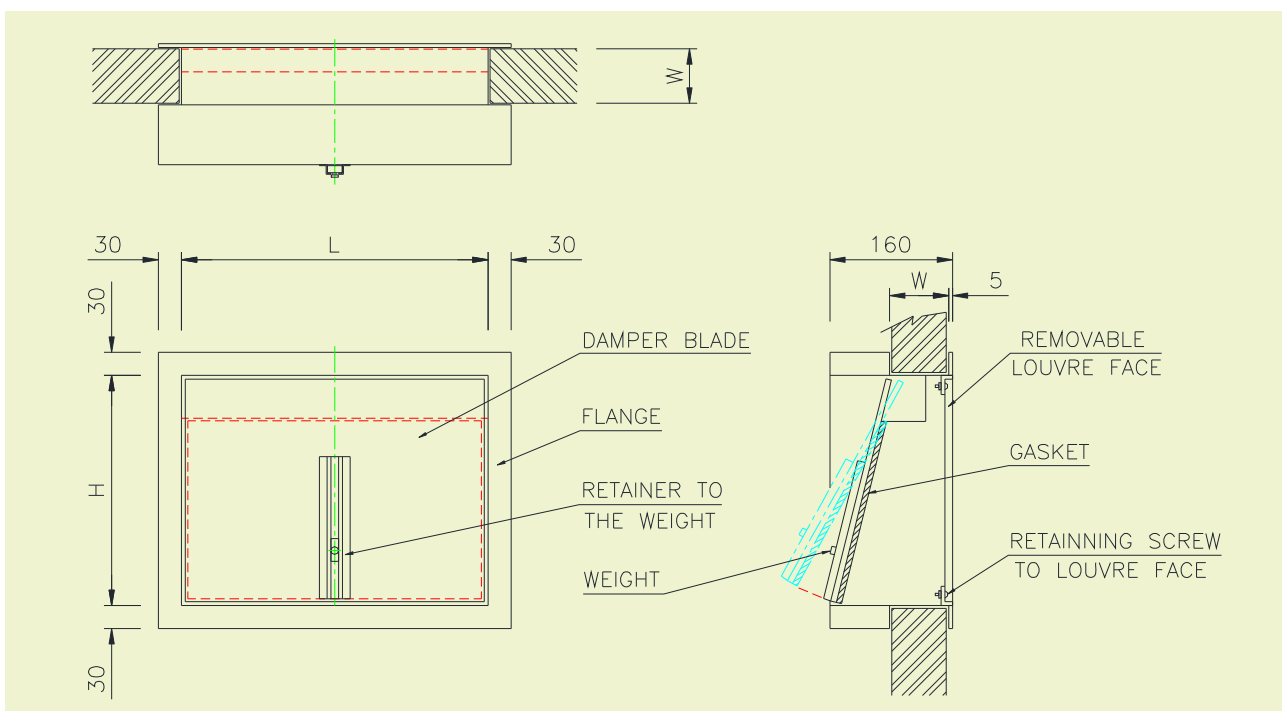
This is used to maintain the inside pressure of a cleanroom.

In cleanrooms and bio-cleanrooms, positive pressure is necessary to prevent intrusion of contaminated air. On the other hand, if the internal pressure is too high it causes problems opening or closing the doors.

The **VICFIL VPRD** Type Positive Pressure Damper (Pressure relief damper) allows accurate control of the internal pressure in the cleanroom to a constant positive pressure. The pressure can easily be adjusted by adjusting the position of the weight on the damper blade.



EXTERNAL DIMENSIONS



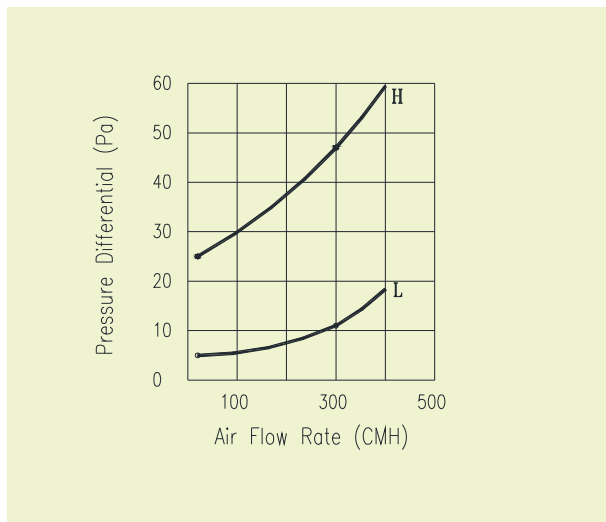
STANDARD SPECIFICATION

SPECIFICATION	MODEL	VPRD-5	VPRD-10	VPRD-15	VPRD-20
ADJUSTABLE PRESSURE DIFFERENCE		5 - 35 Pa			
AIR FLOW RATE		5m ³ /Min	10m ³ /Min	15m ³ /Min	20m ³ /Min
SIZE (L x H) (mm)		300 x 200	400 x 300	500 x 300	600 x 300
CONSTRUCTION		ALUMINUM / STEEL SHEET METAL / SUS (optional)			
		BALANCER: MOVABLE FINE ADJUSTABLE BALANCER			
FINISHING		POWDER BAKED EPOXY			
APPLICABLE WALL THICKNESS (W) (mm)		TO SUIT (CUSTOMER TO SPECIFY)			
WEIGHT		4 kg	6 kg	8 kg	10 kg

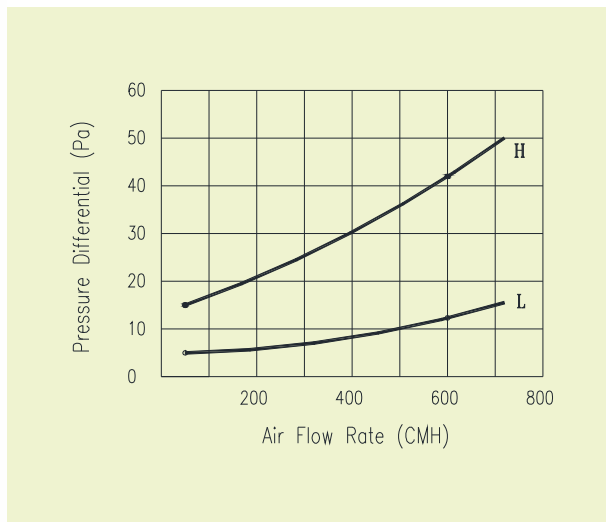


POSITIVE PRESSURE DAMPER / PRESSURE RELIEF DAMPER

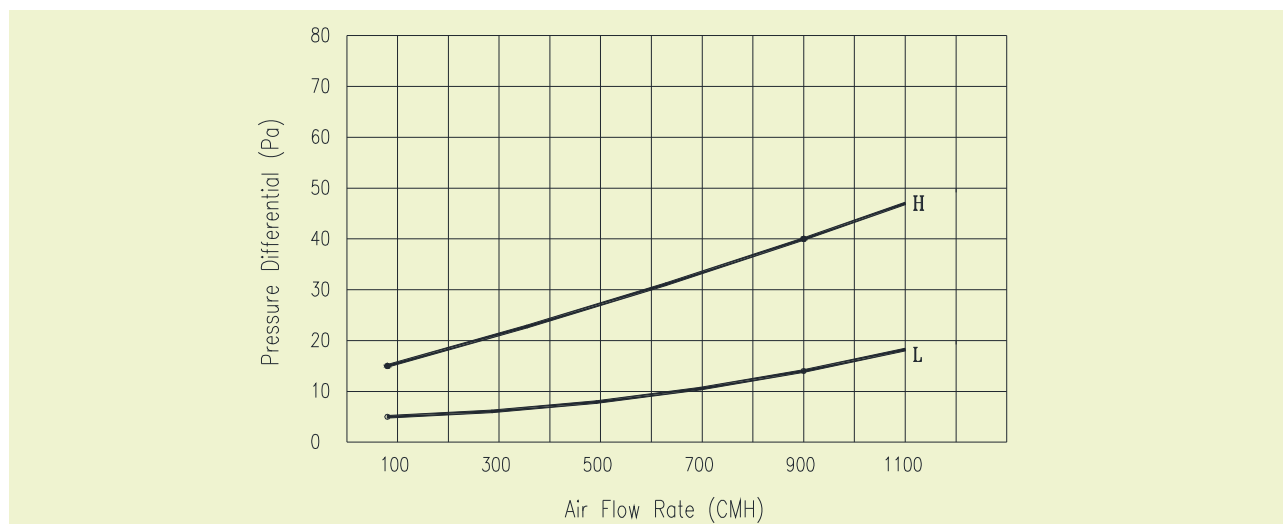
PERFORMANCE CURVE: VPRD-5



PERFORMANCE CURVE: VPRD-10



PERFORMANCE CURVE: VPRD-15



PERFORMANCE CURVE: VPRD-20

