

**Introduction:**

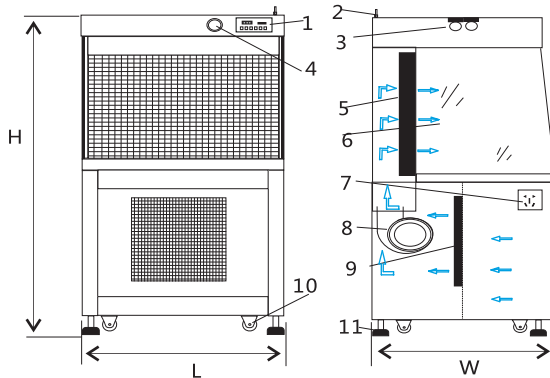
The filtered air is passed through the main chamber of the flow bench in a horizontal laminar air stream before being used in the laminar flow bench, it is placed within an ISO class100 clean room to provide an ultra-clean environment directly at the process level .

**Applications:**

clean room, electronics ,aerospace and medical devices industries ,semi-conductors, pharmaceutical mycology and so on.

**Operating Features :**

- 1: The fresh air pass the per-filter and HEPA filter with horizontal air stream pass the working table for keep the local high purification rank .
- 2:Two filtration step protect the HEPA filter in long time used.
- 3: It manufactured for the most demanding clean room ,offering a combination of value high quality construction.
- 4: Horizontal laminar flow bench with high cleanliness . low noise and movability, which can be connected assembly line.
- 5: LED control board with CE remark, low operating noise and a product range to suit all budgets from the industry leader.
- 6: Stainless steel or antimicrobial coating on all painted surfaces minimizes contamination . long -life HEPA filter for supply air flow.
- 7: Pressure gages indicates user replacement the HEPA air filter in time.



**Illustration :**

- 1: Control board    2: Power cable    3: Purification light    4: Pressure indication    5: HEPA air filter    6: Tempered glass  
7: Power Socket    8: Blower    9: Pre-filter    10: Castor wheel    11: Adjustable leg

**Technical Parameter :**

Model	VIC-HCB-3	VIC-HCB-4	VIC-HCB-6
External size(mm)(W*D*H)	960*950*1570	1360*950*1570	1860*950*1570
Work Area(mm)(W*D*H)	900*700*720	1300*700*720	1800*700*720
Classification	Class 10000		
Rated Air Flow	1200m3/h	1800m3/h	2300m3/h
Construction	1: Cabinet made of steel with epoxy power coated, working table made SS304. 2: Cabinet and working table made of fully SS304.		
Filter Efficiency	More than 99.99% @ 0.3um @ H13-H14		
Filter Face velocity	0.3-0.6 m/s		
Pressure Gage	0-500 Pa		
Fluorescent Lamp	20W*1	30W*1	40W*1
Illumination	>400LUX		
Fan	280W	405W	490W
Noise	<65dB		
Incoming Power Supply	24 0VAC/1PH/50Hz		

Customized design is available.